

Metacone™ & HK™



Features

A compact fail safe design, available for a wide range of loadings with in some cases alternative fixings.

Cutouts in rubber section on various sizes provide different vertical/horizontal stiffness ratios.

Most sizes can be supplied complete with overload and rebound washers.

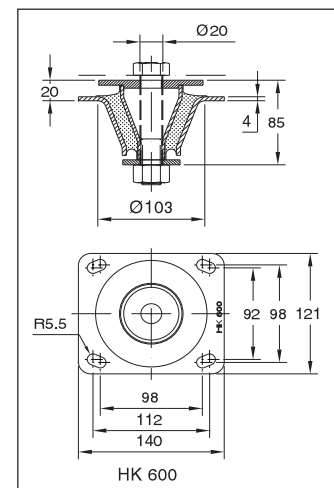
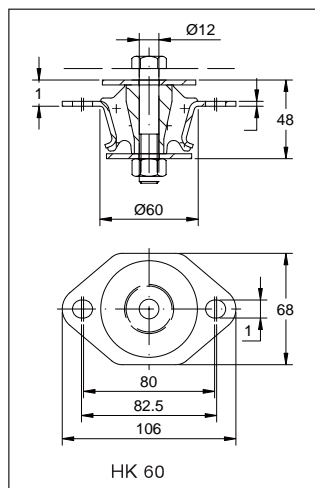
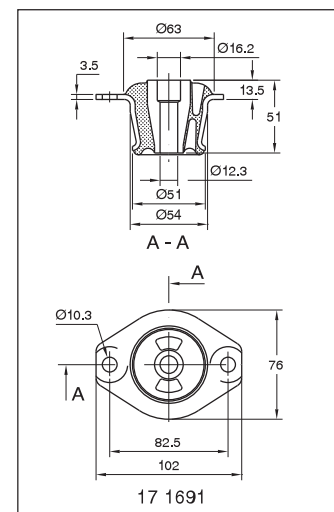
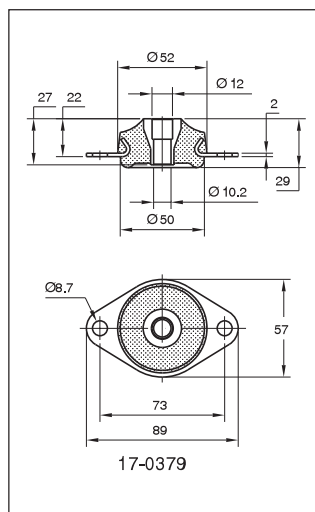
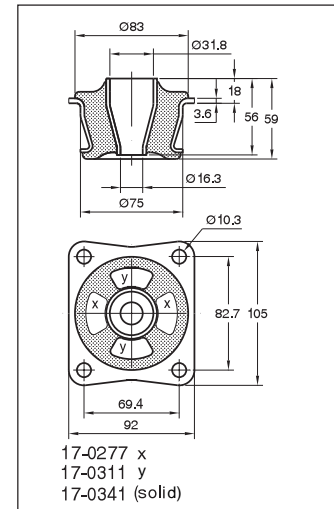
Metalastik® type Metacone™

Novibra® type HK™

A range of mountings designed for high load capacity with relatively large static deflections. The high loading for a given size is achieved by utilising the rubber to best advantage in shear and compression. Normally, mountings are assembled with overload and rebound washers to control and limit movement of the suspended equipment under shock loads. Centre fixing bolts should be torque tightened to the recommended values.

Applications include suspensions for:

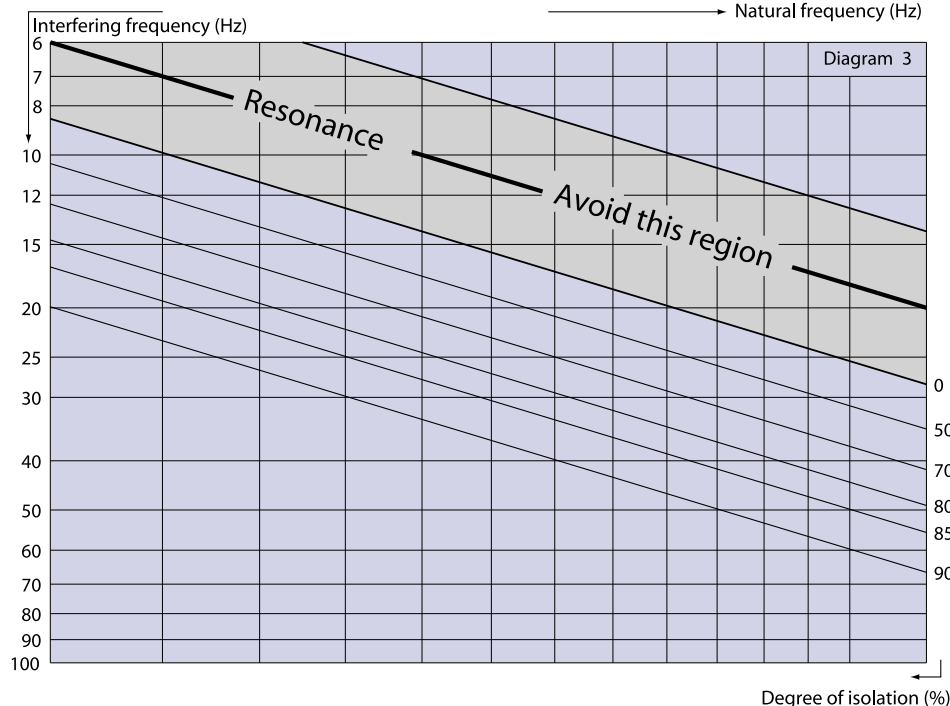
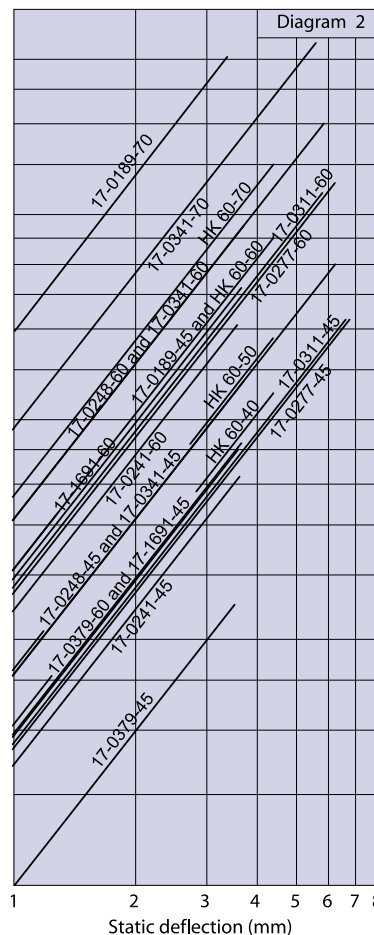
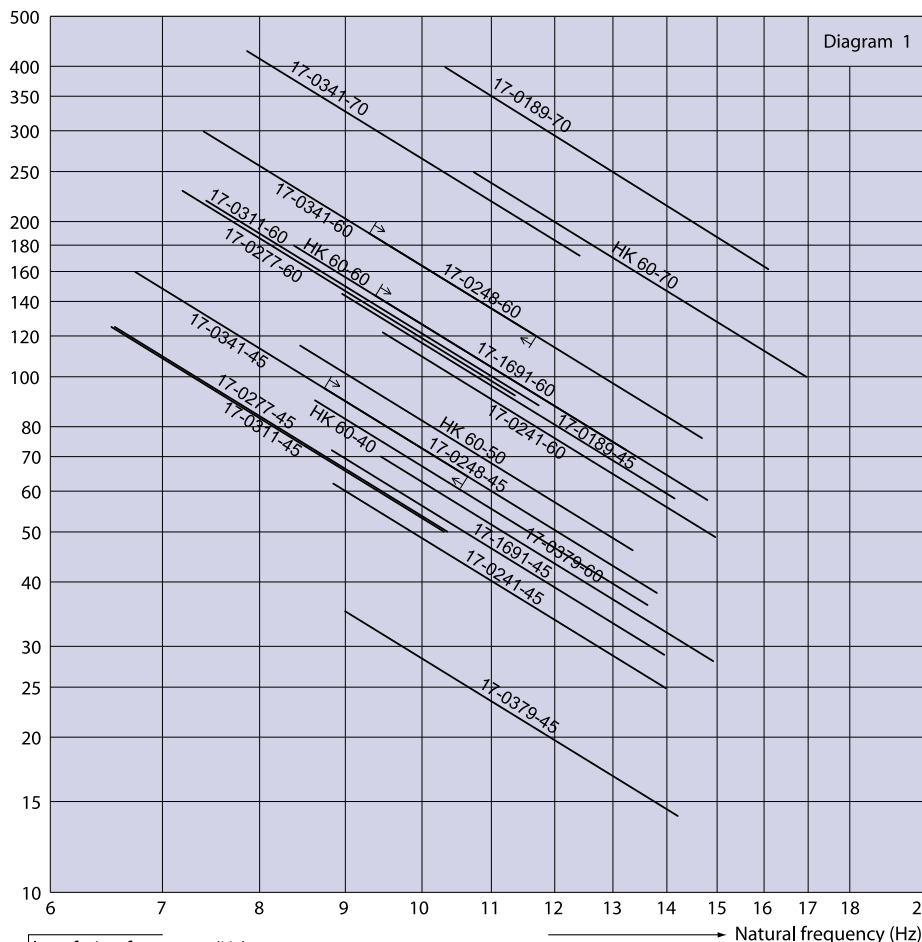
- ▼ Off-road and road vehicle engines
- ▼ Vehicle Cabs
- ▼ Oil Tanks/Tankers
- ▼ Mobile applications



Drawing no. Metacone™	Part no.	Max vert. Load (Kg)	Weight (Kg)
17-0189	10-00365	145	0,28
17-0189	10-00367	400	0,28
17-0241	10-00374	62	0,18
17-0241	10-00375	122	0,18
17-0248	10-00379	95	0,19
17-0248	10-00380	190	0,19
17-0277	10-00385	125	0,56
17-0277	10-00387	230	0,56
17-0379	10-00402	35	0,12
17-0379	10-00404	70	0,12
17-0341	10-00394	160	0,54
17-0341	10-00395	300	0,54
17-0341	10-00396	430	0,54
17-0311	10-00391	125	0,58
17-0311	10-00392	220	0,58
17-1691	10-00566	72	0,44
17-1691	10-00567	144	0,44
HK			
HK60-40	10-01119	90	0,24
HK60-50	10-01122	115	0,24
HK60-60	10-01120	180	0,24
HK60-70	10-01121	250	0,24

Note: The natural frequencies and degrees of isolation are based on dynamic characteristics of the mountings.

Load per mounting (kg)



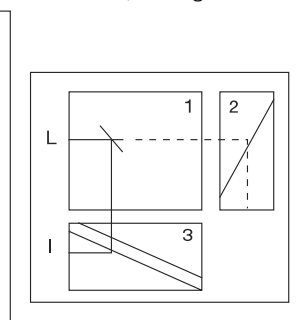
To select correct mounting, following data are needed:

- 1) Load per mounting (kg)
- 2) Interfering frequency (Hz)
(Hz = rpm / 60)

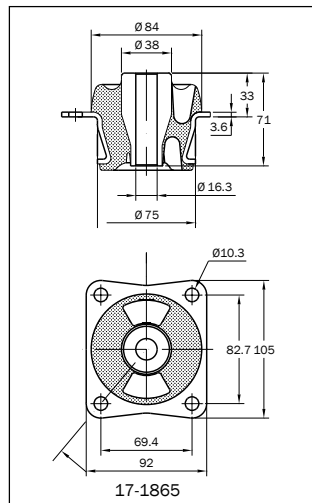
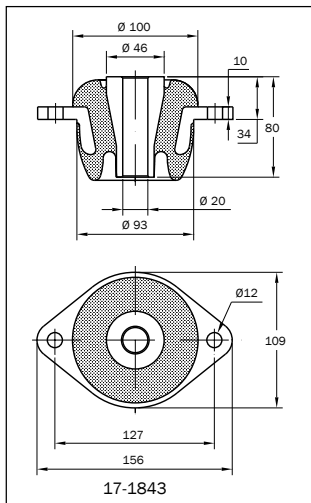
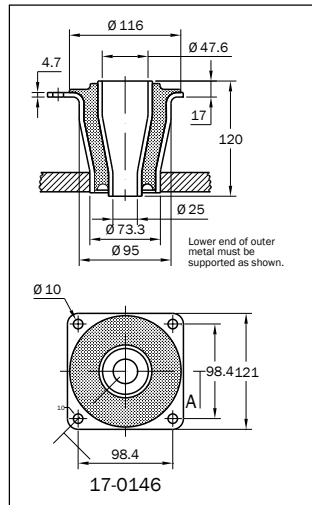
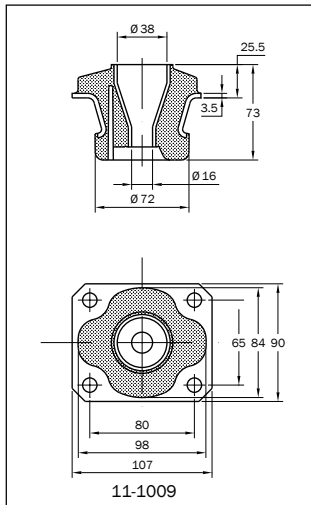
Select correct load line in diagram 1 and correct interference line in diagram 3. The load line intersects with required type of mounting.

The load line intersects with required type of mounting. Connect this intersection point vertically down to the interference line in diagram 3. Here, on the sloping curve, the isolation degree is indicated.

For static deflection, see diagram 2.

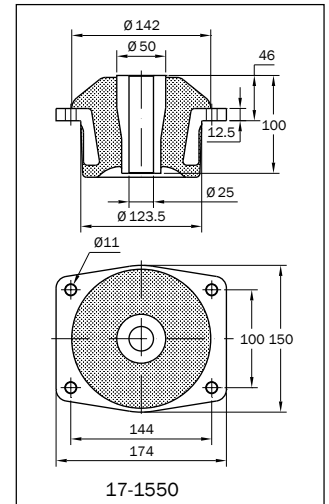
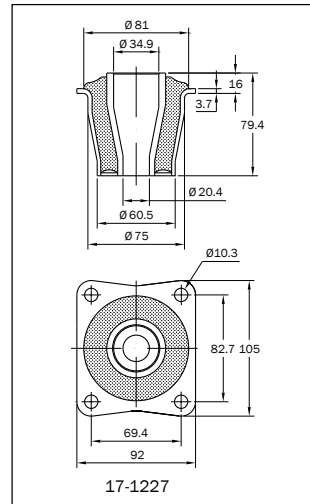
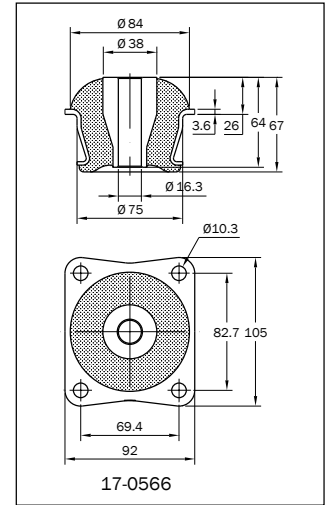
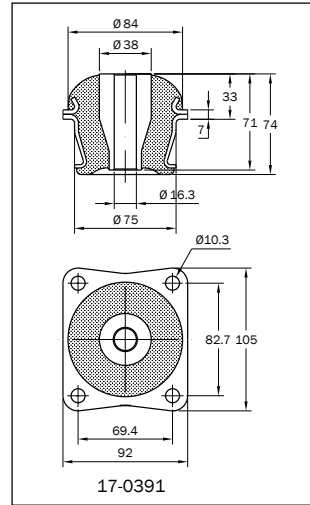


Metacone™ & HK™



Drawing no. Metacone™	Part no.	Max vert. Load (Kg)	Weight (Kg)
11-1009	10-00192	140	0,59
11-1009	10-00193	200	0,59
17-0391	10-00411	290	1,1
17-0391	10-00414	500	1,1
17-0391	10-00415	610	1,1
17-0566	10-00433	200	0,82
17-0566	10-00434	380	0,82
17-0566	10-00435	525	0,82
17-1227	10-00459	560	1,1
17-1227	10-00460	1000	1,1
17-1550	20-02522	720	4,4
17-1550	20-02523	1250	4,4
17-1843	20-02529	320	1,7
17-1843	20-02530	600	1,7
17-1865	10-00615	180	0,86
17-0146	10-00360	950	2
17-0146	10-00361	1700	2
HK™			
HK600-40	10-00190	940	1,0
HK600-60	10-00191	1700	1,0





Drawing no. Metacone™	Top Washer Part no.	Bottom Washer Part no.
17-0189	20-00529	10-03666
17-0241	20-00529	10-03666
17-0248	20-00529	10-03666
10-0277	20-00773	20-00532
17-0379	20-00531	20-00531
17-0341	20-00773	20-00532
17-0311	20-00773	20-00532
17-1691	20-00535	20-00536
11-1009	20-00532	20-00532
17-0391	20-00532	20-00532
17-0566	20-00532	20-00532
17-1227	20-00528	10-03707
17-1550	20-02818	20-00534
17-1843	20-00533	20-00533
17-1865	20-00532	20-00532
17-0146	20-00527	10-03862
HK™		
HK60	20-01103	20-00416
HK600	20-00643	20-00644

Metacone™ & HK™

