

# Spherilastik™ Bearings

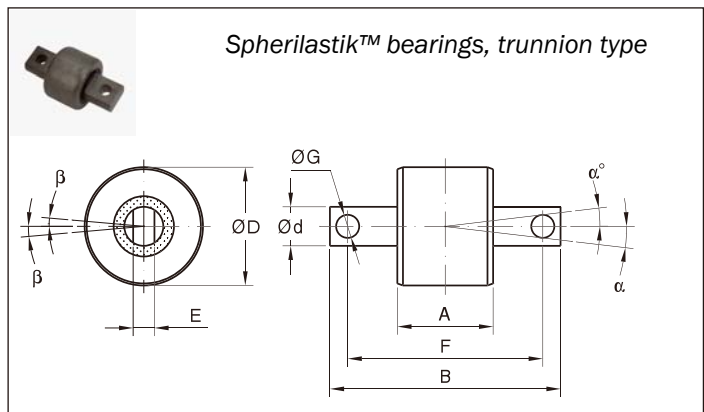
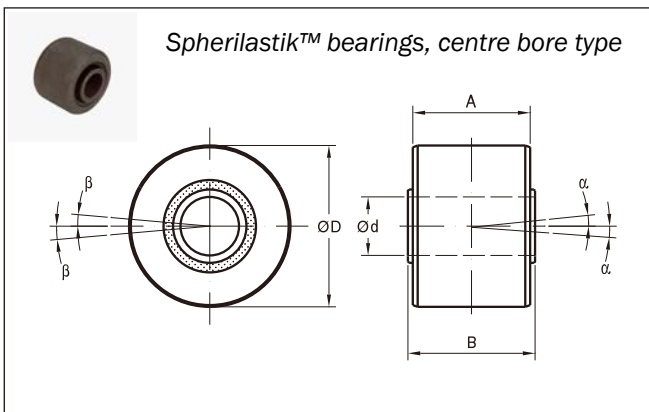


## Features

A heavy duty flexible bearing which combines high load capacity with the ability to accommodate torsional and angular movements in all planes without lubrication and metal to metal wear. It is available with centre bore or solid member depending on fixing requirements.

## Metalastik® type Spherilastik™ Bearings

Typical uses include traction and braking reaction rods for rail, road and off-road vehicles, hydraulic damper fixings and other applications where a high duty bearing of compact size is required.



Drawing no. Spherilastik™ Bearing	Part no.	Dimensions in mm								Radial		Torsion		Bending		Weight (Kg)
		d	D	A	B	E	F	G	Stiffness kN/mm	Max Load kN	Stiffness kNm/rad	±β degrees	Stiffness kNm/rad	±α degrees		
13-1316	10-00527	25,4	66,7	47,6	54				70	34	0,9	8	0,9	6	0,84	
13-1006	10-00237	28,6	90,5	70	76,2				93	58	2,8	8	2,8	6	2,5	
<b>Centre Bore</b>																
13-2106-1	10-00291	28,6	90,5	70	76,2				100	58	2,8	8	2,8	6	1,8	
13-1285	10-00255	38,1	104,8	76,2	82,6				90	78	4,5	8	3,8	7	3,4	
<b>Trunnion</b>																
13-2202-1	10-00302	35	66,7	47,6	120	20	90	13	70	34	0,7	8	0,9	6	1,2	
13-2033	10-00283	40	84	65	155	20	120	16,5	150	75	2,8	6	2,8	6	2,8	