

Fanflex™



Features

Simple design with metal parts encapsulated in high grade natural rubber compound giving good environmental resistance.

Provides relatively large static deflections and hence a high degree of vibration attenuation - 90% isolation for disturbing frequencies of 15 Hz (900 c.p.m).

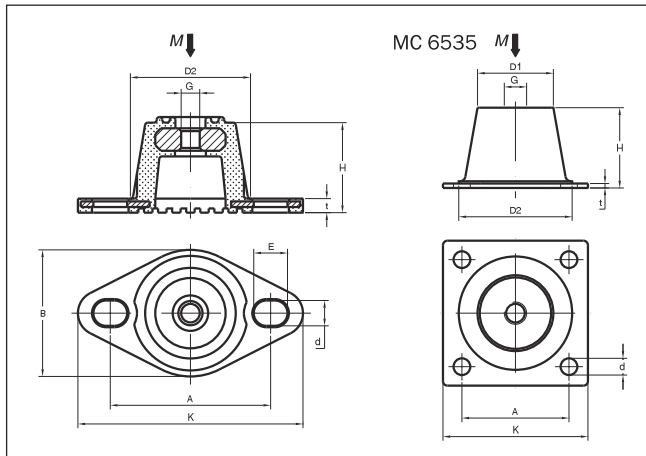
Range gives capacity for point loads of 35 kg to 350 kg.

Metalastik® type Fanflex™

A simple mounting designed predominantly for the suspension of heating, ventilating and air conditioning equipment.

May be used for:

Pumps, fans, compressors and control cabinets.



Type	Drawing no.	Part no.	Dimensions in mm										Weight (Kg)	M-Max (Kg)	Colour Code
			A	K	H	B	D1	D2	E	G	d	t			
Fanflex 100-45	19-0200	20-00518	57	80	32	45		41	12	M8	9	5	0,09	35	yellow
Fanflex 100-55	19-0200	20-00519	57	80	32	45		41	12	M8	9	5	0,09	65	blue
Fanflex 100-65	19-0200	20-00520	57	80	32	45		41	12	M8	9	5	0,09	100	red
Fanflex 200-45	19-0201	20-00521	71	95	45	60		56	14	M10	9	5	0,22	130	yellow
Fanflex 200-55	19-0201	20-00522	71	95	45	60		56	14	M10	9	5	0,22	225	blue
Fanflex 200-65	19-0201	20-00523	71	95	45	60		56	14	M10	9	5	0,22	350	red
MC 6535-45	19-0565	20-00662	48	65	36		34	51	8	M10	7,5	2	0,12	45	white
MC 6535-55	19-0565	20-00663	48	65	36		34	51	8	M10	7,5	2	0,12	75	red
MC 6535-65	19-0565	20-00664	48	65	36		34	51	8	M10	7,5	2	0,12	115	black

