

Metaxentric™ Bushes

Features

Metaxentric™ bushes have a large rubber section with the central pin offset towards one radial plane. These bushes can provide a relatively large radial deflection, but have excellent motion control characteristics.

The Metaxentric™ bush has the following features:

- ▼ Three dissimilar translational stiffnesses for the best vibration isolation and motion control.
- ▼ Load range from 135 to 480 kg.
- ▼ 'Rising rate' stiffness characteristics for overload conditions help to limit motion and transmitted acceleration.
- ▼ Robust and fail-safe, suitable for ROPS and FOPS cab structures.
- ▼ Simple to fit, the housing lends itself to robust structures.



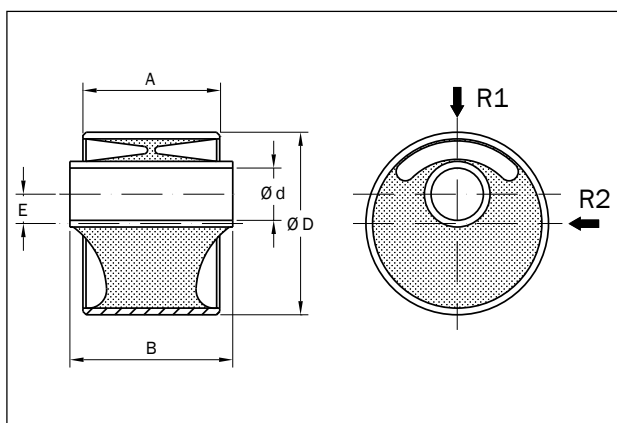
Metalastik® type Metaxentric™ Bushes

Similar to conventional Ultra Duty Bushes but with inner and outer sleeves offset radially. This feature provides a greater rubber thickness and hence increased flexibility in the normal direction of loading while maintaining control in other modes and still allowing torsional movement.

The rubber section is relieved to eliminate harmful tensile stresses.

Applications:

- ▼ Vehicle spring eye mounting
- ▼ Tilt Cab pivot bush
- ▼ Engine mounting



Drawing no.	Part no.	Dimensions in mm					Radial Properties			Weight (Kg)	
		d	D	A	B	E	Stiffn (N/mm)	Direction R1 Max Defl. (mm)	Max Load(Kg)		Direction R2 Stiffn (N/mm)
13-1270	10-00252	16	47,6	50,8	63,5	7,1	675	2	135	1600	0,18
13-2174	10-00297	24	75,3	20,8	70	10,5	910	3,5	318	1200	0,59
13-1165	10-00244	25,4	88,9	66,7	79,4	14,3	475	3,8	180	640	0,86
13-1165	10-00245	25,4	88,9	66,7	79,4	14,3	900	3,8	340	990	0,86
13-1355	10-00263	43,7	101,6	63,5	72,4	9,5	1300	3,5	482	2200	0,86